

COMPLETELY INDEPENDENT OPERATION

The UC112 control unit integrates:

- The composition of the text to be marked (removable external keyboard).
- The control of the marking head for:
 - micro-percussion (indent marking),
 - scribing.

EASY TO INTEGRATE

- The **internal software** permits **independent operation** of the UC112 (no need for an external PC or PLC to program the control unit).
- **3 mounting methods:**
 - **Rear mount** in electrical cabinet (2 mounting tabs, included).
 - **Rack mount** in electrical cabinet (19" 4U Rack, optional).
 - **Bench top** (2 feet, included).

EASY TO PROGRAM

Various methods of inputting data:

- 105 key AT external keyboard (included with UC112).
- PC using T101W Windows® software.
- PLC via RS232 link (DB9 connector).
- Other information systems via RS232 link.
- Bar code reader via RS232 link (option).

SECURITY

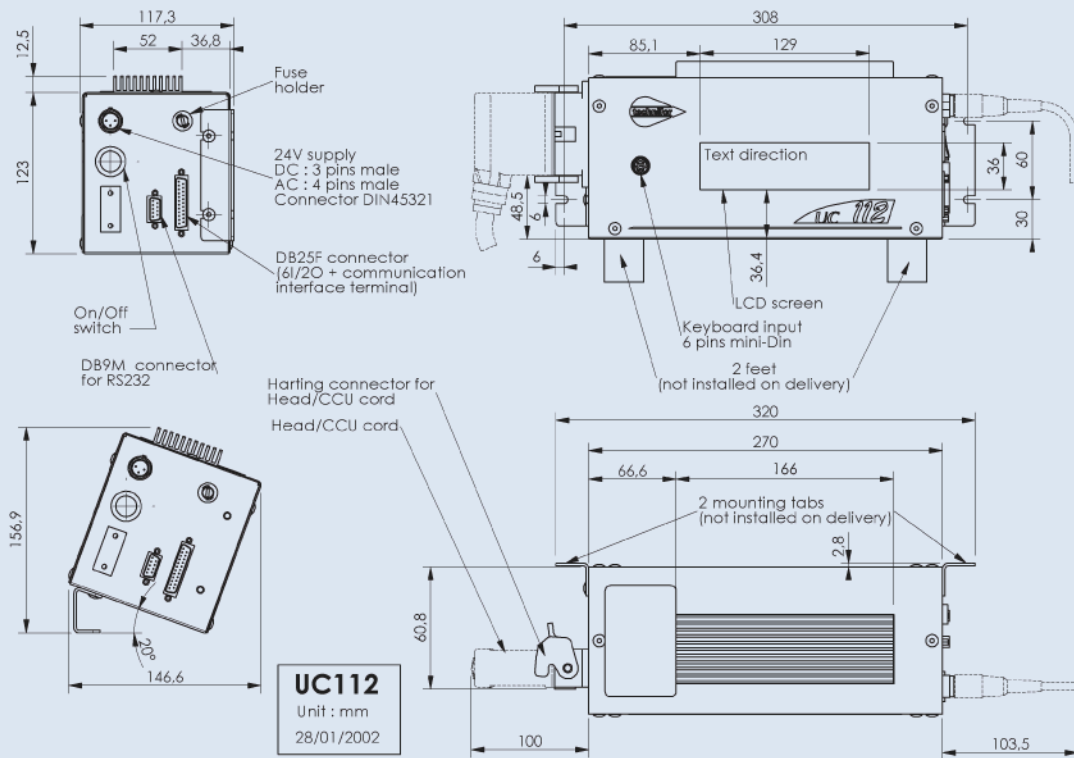
- Operator / Administrator Mode.
- Removable keyboard for operation in independent mode.
- Back-up/transfer of marking files between UC and PC.



INTEGRATED SOFTWARE FEATURES

- Create / Modify / Save marking data.
- Management of 6 Input / 2 Output board.
- Calculation of variable data : date codes (several formats available), shift codes, serial numbers.
- Management text style:
 - choice of fonts (standard, OCR, 5x7, ...),
 - choice of logos,
 - compression, spacing, automatic centering,
 - linear marking, angular, radial, inclination, inverted, mirrored.
- Downloading of custom fonts and logos.

TECHNICAL SPECIFICATIONS



The 24 V AC power supply is specific for electro-magnetic marking heads.

Environment:

- Dimensions (l x h x w) without connectors:
270 x 117.3 x 135.5 mm
- Weight: 3.2 Kg
- Electrical supply: 24 VDC or 24 VAC $\pm 10\%$
(DIN 45 321 connector - 3 pins for DC, 4 pins for AC)
- Consumption: 110 W (with 24 VDC supply)
200 VA (with 24 VAC supply)
- Operating temperature: +5 to +40 °C (+41 to +104 °F).

Accessories/Adaptations:

- 230 V AC / 24 V DC – 110 W power supply
- 230 V AC / 24 V AC – 200 VA power supply
- 115 V AC / 24 V DC – 110 W power supply
- 115 V AC / 24 V AC – 200 VA power supply

Options:

- 19" 4U Rack mount face plate.
- DataMatrix® 2D Code.
- Downloading of fonts and logos (HPGL).
- T101W Windows® marking software.
- UC112 to PC file transfer software.
- External data input (via RS232 link).

Control Unit

- Processor : 32 bits
- Memory capacity : 51 Kb
- LCD Screen, 129 x 36 mm (6 lines of 40 characters),
- Fonts: continuous line, OCR, 5x7
- Communication interface (DB25 connector):
 - Start of marking.
 - End of cycle.
 - Reset.
 - Machine ready.
 - 6I / 2O.
- Data input by:
 - 105 key AT external keyboard (included with UC112).
 - PC using T101W Windows® software.
 - PLC via RS232 link (DB9 connector).
 - Other information systems via RS232 link.
 - Bar code readers via RS232 link (optional).
- File Selection from memory:
 - by 105 Key AT keyboard.
 - by 6I / 2O (on DB25 connector).
 - by RS232 connection

Norms:

- Directive "Machine" 89/392/CEE.
- Directive "Electromagnetic compatibility" 89/336/CEE.
- Directive low voltage "Electric devices" 73/23/CEE.
- Complies with Part 15 of the FCC rules.



114, quai du Rhône - F-01708 MIRIBEL Cedex
Tel +33 (0)4 78 55 85 50 - Fax +33 (0)4 78 55 85 60
E-mail : tf@technifor.com

www.technifor.com